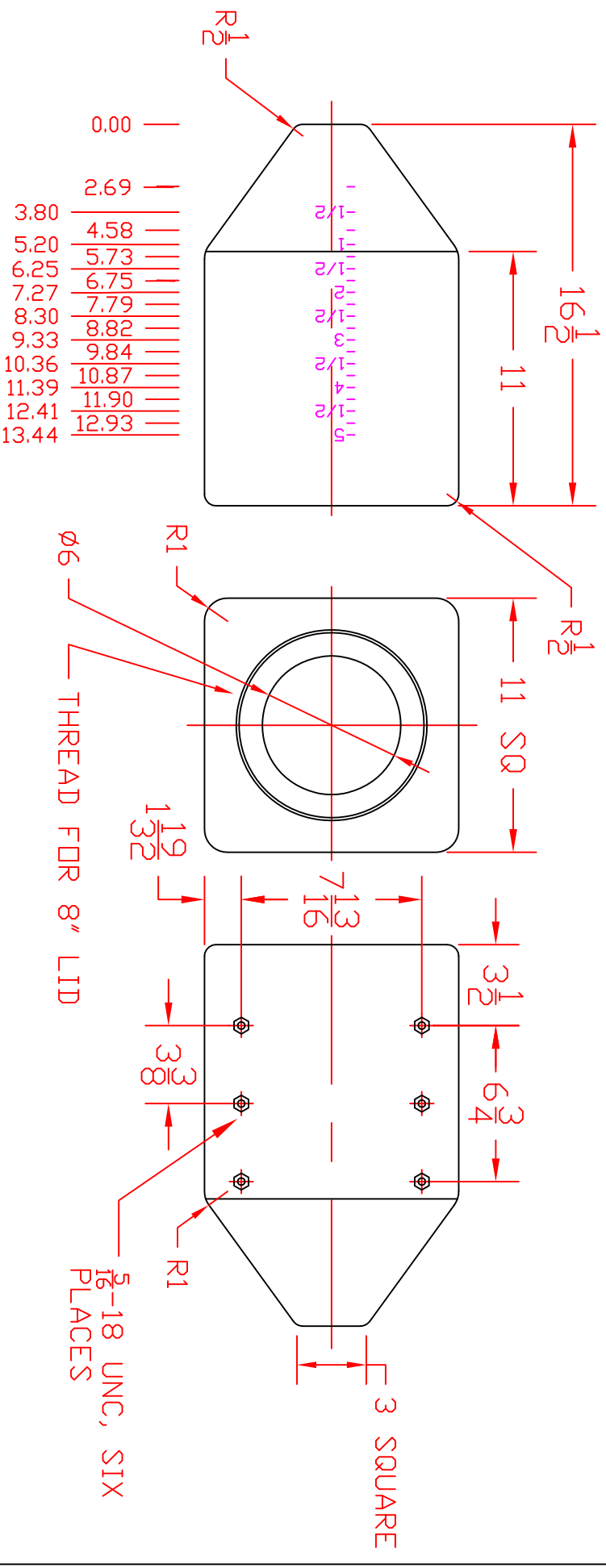


REVISIONS				
ZONE	REV	DESCRIPTION	DATE	APPROVED



		ST. BONIFACIUS, MN			
		FIVE GALLON SQUARE TOTAL DRAIN TANK			
JTP	18FEB05	SIZE	FSCM NO.	DWG NO.	REV
SCALE 1/8		A		SHEET	